

DEALER SERVICE BULLETIN

Number: DSB 10-0024

Date: 6/21/10

Supersedes: New

Title: Utility Curtailment Option with
Infinity / Evolution

PRODUCT CATEGORY:

Furnaces

MODELS AFFECTED:

All Infinity / Evolution gas furnaces used with a communicating outdoor unit and utility curtailment option.

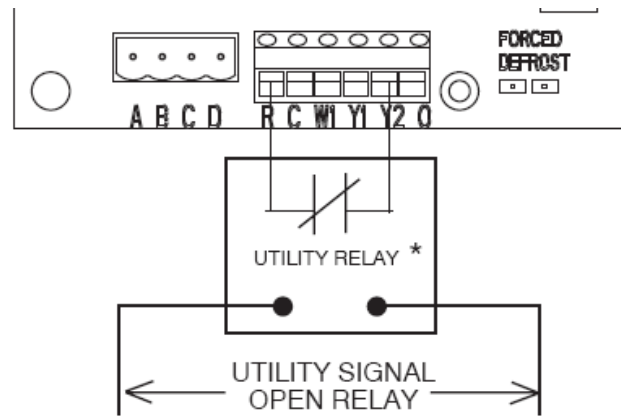
SITUATION:

It has come to our attention that an Infinity / Evolution furnace can be mis-wired to the utility curtailment portion of a communicating outdoor unit, resulting in the furnace heating limit safety switches being bypassed. This situation occurs if a wire is connected from the R terminal of the furnace to the R terminal of the outdoor unit while the ABCD connection is in place. Connecting ABCD and the R terminal at the same time will bypass the furnace heating limit switch safeties.

SOLUTION:

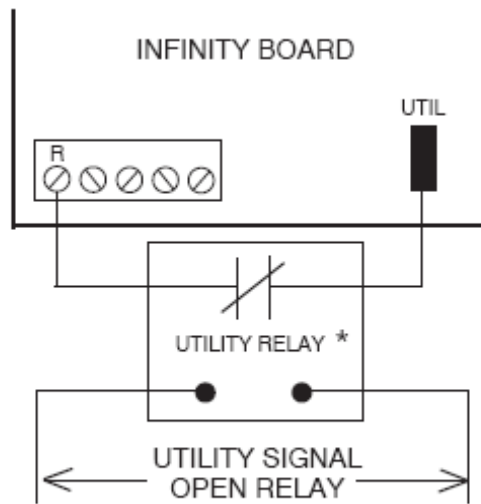
Review the installation instructions for the outdoor unit, either HP or AC, for proper wiring of the utility curtailment relay. Do NOT use any wiring scheme other than the one shown in the installation manual. The correct connection diagrams for both single and two-stage condensers are attached.

Warning: Do not perform any of the servicing instructions provided in this Service Bulletin unless you are a trained and qualified technician. Observe all precautions in the instructions, equipment tags, labels, and observe all other safety precautions that may apply. Failure to follow this warning could result in property damage, personal injury or death.



* SUPPLIED BY UTILITY PROVIDER

Two-stage outdoor control with utility connection



* SUPPLIED BY UTILITY PROVIDER

Single-stage outdoor control with utility connection